

LIGHTWEIGHT ALUMINUM END DUMP



TT06_004-LWAluminumED
11/3/20

WE BUILD IT, SO YOU CAN HAUL IT.



DESCRIPTION: 37' STRAIGHT SIDE
& 39' TAPERED SIDE

TYPE: FRAMELESS SINGLE WALL



VANTAGE

A **DRAGON** FAMILY BRAND

McCANDLESS
TRUCK CENTER

Your Authorized Dragon, Ranco, and Vantage Trailer Dealer

303-739-9900 | mctrux.com

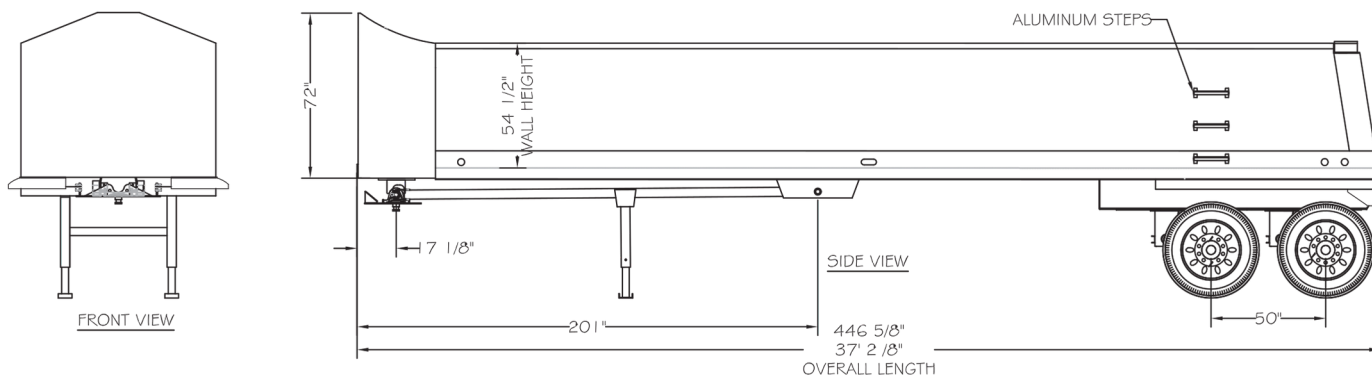
STRAIGHT SIDE & TAPERED SIDE ALUMINUM END DUMP

STANDARD FEATURES

- BOX: 5454 H32 ALUMINUM, .195" THICK FLOOR, .145" THICK WALL, SINGLE PANEL, 85" WIDE ON 102" WIDE AXLES
- FLOOR STRUCTURE: HIGH ALUM CHANNEL, 15 1/2" ON CENTER
- HOIST: 8" DIA 5 STAGE, SINGLE ACTING, w263"STROKE
- WELDS: INTERNAL - AS WELDED, EXTERNAL, AUTOMATED EXTRUSION SEAM - SMOKE AND DISCOLORATION REMOVED
- REAR GATE: GRAVITY GATE AT 8 DEG PITCH, AIR ACTUATED LATCH CYLINDER WITH AUTO BODY RELEASE AND MANUAL VALVE.
- COUPLER: STEEL PICKUP PLATE, WITH BUSHING SADDLES
- LANDING LEGS: ALUMINUM TELESCOPING LEGS
- DRAFT ARM: ALUMINUM TUBING WITH REINFORCED CHANNEL
- NOSE: ROUND SHAPE, .25" ALUM 5454-H32, WITH HEAVY DOGHOUSE STRUCTURE FOR HOIST SUPPORT, CAPPED WITH STEEL BOLTED PLATE
- LIGHTS: FULL DOT LIGHTS, LED SEALED LIGHTS, HARNESS AND JUNCTION BOX WITH TERMINAL STRIP.
- SUSPENSION: TANDEM FRONT LIFT AXLE WITH HENDRICKSON INTRAAX 17" RH AIRRIDE, 30,000LB PER AXLE
- WHEELS: 10 HOLE, ALUMINUM, HUB PILOT
- TIRES: 11R22.5 HIGHWAY TREAD
- BRAKES: 16 1/2 X 7 WITH SPRING PARKING, AUTO SLACKS, WABCO 4S-2M ABS SYSTEM
- BUSHINGS: ALL JOINTS WITH GREASABLE FITTINGS
- MUD FLAPS: ANTI SAIL

OPTIONS

- TARP: ELECTRIC OR MANUAL
- FLOOR LINER
- TWIST LOCKS
- COAL DOOR
- AXLE CONFIGURATIONS
- 2 SPEED LANDING GEAR
- AUTO TIRE INFLATION
- LIGHT PACKAGE



VANTAGE

A **DRAGON** FAMILY BRAND

McCANDLESS TRUCK CENTER

Your Authorized Dragon, Ranco, and Vantage Trailer Dealer

303-739-9900 | mctrux.com